



## Handling and Storage

- Can be mounted or stored in any orientation except inverted
- 2-years storage life at 77°F (25°C) without needing to charge. Recharge when the OCV is <12.2V (50% SOC).
- Classified as non-spillable and approved as non-hazardous cargo for ground, sea and air transportation in accordance with the requirements of IMDG (International Maritime code for Dangerous Goods) and ICAO (International Civil Aviation Organisation)

## Charging and Self-Discharge

Cyclic Charge Voltage	14.4 - 14.8V @ 25°C
Float Charge Voltage	13.5 - 13.8V @ 25°C
Charger voltage at 68°F (20°C)	14.4V to 14.8V
Self-discharge per month at 68°F (20°C)	1.25%
Self-discharge per month at 104°F (40°C)	5%
80% depth of discharge cycles	400

## Accreditations

The management systems governing the manufacture of this product are ISO 9001 and ISO 14001 certified.

\*Cold Start Performance S.A.E J537 Apr 2016

# Technical Data Sheet

## ODX-AGM34M

- Group 34 with tin-plated SAE posts, 3/8 inch positive and 5/16 inch negative thread SS stud terminals
- Absorbed Glass Mat (AGM) with Thin Plate Pure Lead (TPPL)
- Advanced dual purpose battery for engine start and deep cycle use

## Power and Performance

Voltage	12V
Pulse (5 second) Hot Cranking Amps (PHCA)	1500A
MHPCA	1400A
MPCA	1275A
Cold Cranking Amps (CCA)	850A
HCA	1250A
MCA	1050A
20Hr Nominal Capacity (Ah)	68Ah
10Hr Nominal Capacity (Ah)	62Ah
Reserve Capacity Minutes	135 mins
Terminal	SAE and 3/8-16" Stud (Pos.), 5/16-18" Stud (Neg.)
Torque Spec in-lbs (Nm max)	200 (22.6)/100 (11.3) studs only
Internal Resistance (mΩ)	2.5 mΩ
Short Circuit (A)	3100A
Recommended Min. Charging Current (A)	6.2A
UPC	635241140842

## Dimensions and Weight

Length	10.9 in / 277 mm
Width	6.8 in / 173 mm
Height (terminals included)	7.8 in / 198 mm
Height (container)	7.2 in / 183 mm
Weight	50.9 lbs / 23.1 kg

**See Line Drawing on next page**

## Temperature

Operating temperature range	-40°F / -40°C to 176°F / +80°C
Optimum storage temperature	68°F / +20°C

Technical Data Sheet correct at time of exporting PDF. Please check website for updates.



**EnerSys World Headquarters**  
2366 Bernville Road  
Reading, PA 19605, USA  
Tel: +1-800-964-2837

**EnerSys EMEA**  
EH Europe GmbH  
Baarerstrasse 18  
6300 Zug, Switzerland

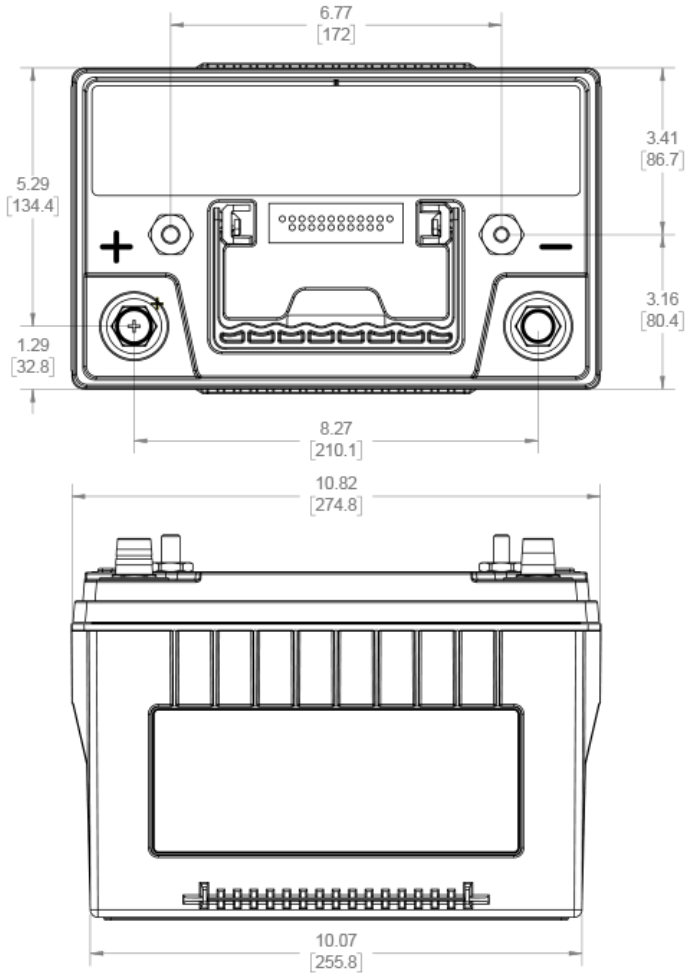
**EnerSys Asia**  
No. 85, Tuas Avenue 1  
Singapore 639518  
Tel: +65 6558 7333

**Want more info?**  
Scan code to access  
the ODYSSEY<sup>®</sup> Battery  
Literature Library



### ODX-AGM34M

#### Line Drawing



### ODX-AGM34M LEFT POSITIVE DUAL TERMINALS (SAE & STUD)

#### ODYSSEY batteries – AGM<sup>2</sup> Thin Plate Pure Lead (TPPL) Technology

ODYSSEY<sup>®</sup> AGM<sup>2</sup> Thin Plate Pure Lead (TPPL) batteries feature 99% pure lead plates that are extremely thin, so more of them fit into the battery. More plates mean more power – ODYSSEY AGM<sup>2</sup> TPPL batteries deliver twice the power and three times the service life of any other conventional battery, outperforming standard AGM or SLI (flooded) batteries in terms of power density, fast-charge acceptance, shelf life, durability and most important – value for your money.

Technical Data Sheet correct at time of exporting PDF. Please check website for updates.



**EnerSys World Headquarters**  
2366 Bernville Road  
Reading, PA 19605, USA  
Tel: +1-800-964-2837

**EnerSys EMEA**  
EH Europe GmbH  
Baarerstrasse 18  
6300 Zug, Switzerland

**EnerSys Asia**  
No. 85, Tuas Avenue 1  
Singapore 639518  
Tel: +65 6558 7333

Want more info?  
Scan code to access  
the ODYSSEY<sup>®</sup> Battery  
Literature Library

