



intAct GEL-Power - Marine & Leisure

Sealed GEL battery with grid plates | electrolyte gel-bonded | filled and charged | absolutely maintenance-free

Art.No.

GEL-30

Volt	12V
Capacity	25 Ah (c5), 30 Ah (c20), 32 Ah (c100)
CCR -18°C(EN)	-
Electrolyte	diluted sulphuric acid
Electrolyte density	1,28 +/- 0,01 Kg/l (25° C)
Size (LxWxH)	197 x 132 x 186 mm
Weight	11 kg
Pos. of Terminal	1
Terminal	19
Base plate	-

Usage



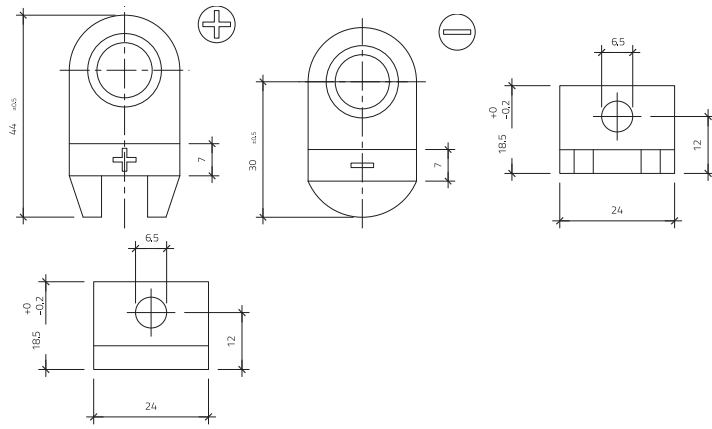
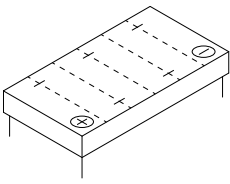
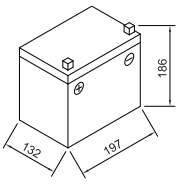
Strong and maintenance-free

Perfect for professional storage and supply needs associated with renewable energy systems, coaches, campers or boats. Withstands charging-current fluctuations, relative deep discharges and continuous recharging. Our recommendation for anyone looking for a more cycle-resistant, spill-proof supply battery.

- » **For medium to heavy cyclic use.** 400 - 700 cycles according to IEC 254-1.
- » **Longer service life than flooded lead-acid battery.**
- » **High vibration resistance.**
- » **Low self-discharge.**
- » **In 6-volt and 12-volt versions.**
- » **Sealed GEL battery** with grid plates.
- » **VRLA battery with gas recombination and safety valves,** where refilling is neither possible or necessary.



Size Pos. of Terminal 1 Terminal 19 Base plate



As of 12.09.2025